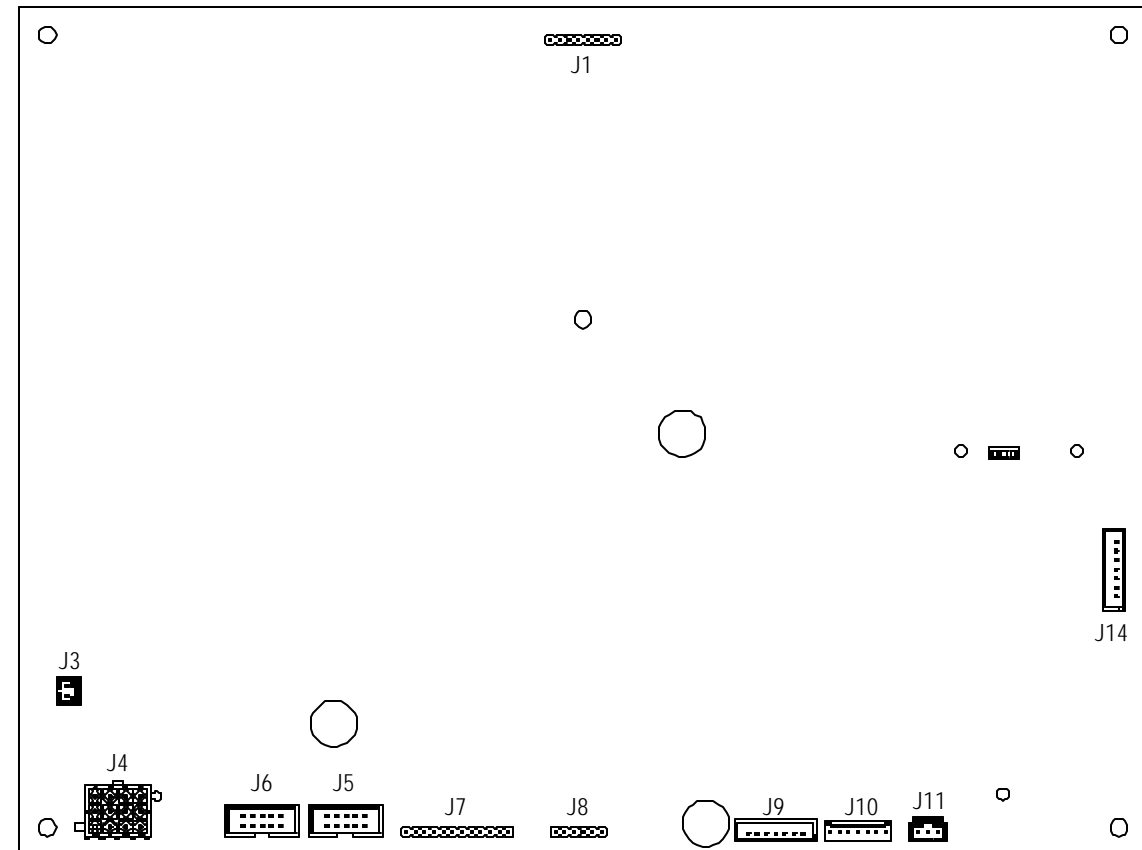
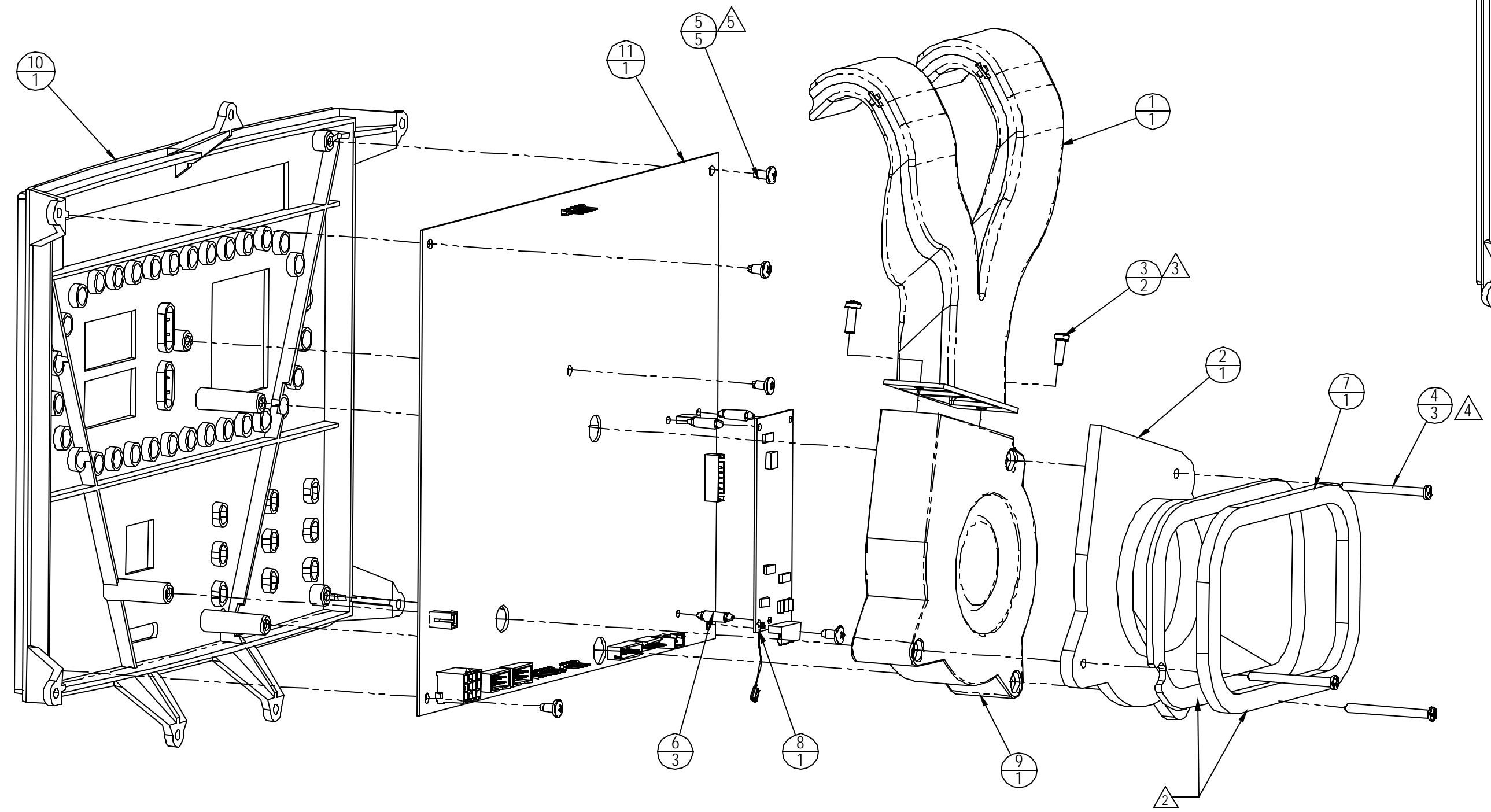
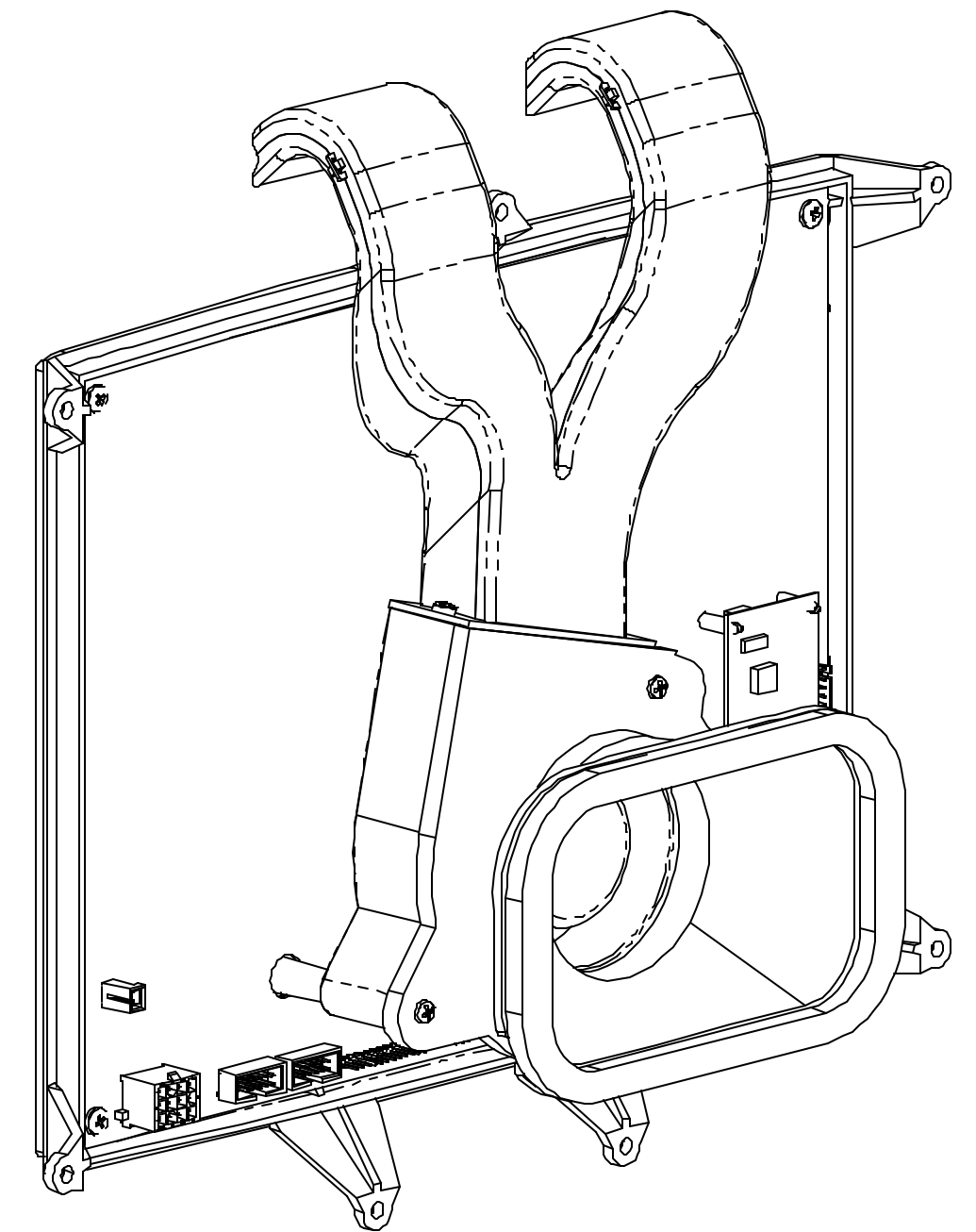


REVISIONS				
REV.	DATE	DESCRIPTION	ECO	BY
A	04-30-08	RELEASE FOR PRODUCTION	11890	FJM



CONNECTOR DESIGNATIONS ON PCB  
P/N **718-5185**



ITEM NO.	PART NUMBER	DESCRIPTION	Default/O.TY.
1	<b>020-7063</b>	DUCT,VENT,BCS,LED,VLAD	1
2	<b>020-7067</b>	INTAKE,BLOWER,BCS,LED	1
3	<b>110-3168</b>	SCREW, M4x12, PHM,PH, CS,ZI	2
4	<b>110-3403</b>	SCREW, M4x0.7x45L,PHT,PH,CS,BO	3
5	110-3404	SCREW, M4x0.7x8L,PHT,PH,CS,BO	5
6	120-3250	STANDOFF, 1/8" DIA X 7/16" NYLON	3
7	140-3396	GASKET, BCS BLOWER DUCT, FOAM	1
8	<b>715-3670</b>	PCBA, SALUTRON 6000, VLAD	1
9	718-1122	ASSY,BLOWER,12VDC	1
10	<b>718-5102</b>	ASSY, KEY PAD TO BEZEL,E-BIKES	1
11	<b>718-5185</b>	ASSY, DISP BOARD LED,USB,E-BCS	1

- NOTES:
- CONNECTIVITY:
    - 260-0932 WIRE TO J3 ON **718-5185**
    - 050-2033** RIBBON TO J7 ON **718-5185**
  - P/N 140-3396 TO ATTACH TO P/N **020-7067** VIA ADHESIVE STRIP LOCATED ON FACE OF P/N 140-3396.
  - APPLY 13-17 lb-in / 1.5-1.9 N-m OF TORQUE TO SCREWS (**110-3168**).
  - APPLY 8-12 lb-in / 0.9-1.4 N-m OF TORQUE TO SCREWS (**110-3403**).
  - APPLY 13-17 lb-in / 1.5-1.9 N-m OF TORQUE TO SCREWS (110-3404).
  - APPLY 10-12 lb-in / 1.1-1.4 N-m OF TORQUE TO SCREWS (110-3405).

**DOCUMENT STATUS:  
RELEASE**

NOTICE OF PROPRIETARY INFORMATION  
THIS DOCUMENT SHALL NOT BE REPRODUCED NOR SHALL THE INFORMATION CONTAINED HEREIN BE USED BY OR DISCLOSED TO OTHER EXCEPT AS EXPRESSLY AUTHORIZED BY UNISEN

MATERIAL	SEE BOM
FINISH	N/A
VENDOR:	N/A
P/N:	N/A

TOLERANCES UNLESS OTHERWISE SPECIFIED	
X.XXX ± 0.10 (0.25MM)	ANGLES ± 0.5°
X.XX ± 0.03 (0.76MM)	FRACTIONS ± 1/32
X.X ± 0.05 (1.27MM)	
X ± 0.125 (3.20MM)	

**UNISEN, INC. DBA STAR TRAC** 14410 Myford Road Irvine CA 92606

PART NO: **718-5186** REV: **A**

TITLE: **ASSY, DISPLAY LED, E-BIKES**

SCALE: 1:2 SHEET 1 OF 1 SHEET SIZE: C